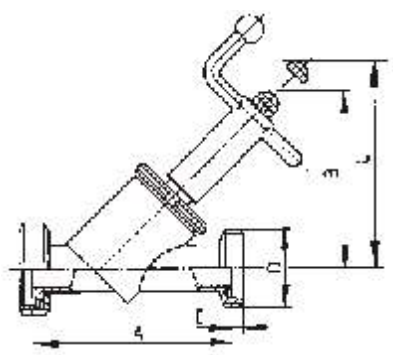


Dn	A	B	C	D	E
25	141	120	150	Rd 52x1/6"	7
32	156	135	170	Rd 58x1/6"	7
40	171	150	185	Rd 65x1/6"	7
50	206	170	220	Rd 78x1/6"	7
65	254	200	265	Rd 95x1/6"	8
80	329	270	360	Rd 110x1/4"	8
100	379	305	410	Rd 130x1/4"	10

Supap cu scaun inclinat O-F
inclined seat valve
Schrägsitzventil Typ VN, K/M-G

Cod
722

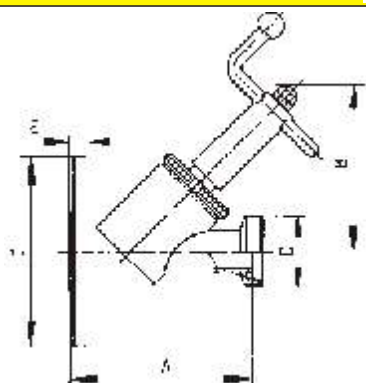


03001

Dn	A	B	C	D	E
25	157	140	115	Rd 52x1/6"	13
32	170	160	140	Rd 58x1/6"	13
40	194	180	150	Rd 65x1/6"	13
50	219	220	165	Rd 78x1/6"	15
65	275	276	185	Rd 95x1/6"	15
80	309	270	200	Rd 110x1/4"	17
100	352	305	220	Rd 130x1/4"	17

Supap cu scaun inclinat FI ND 10-F
inclined seat valve, FI ND 10-G
Schrägsitzventil Typ VN, FI ND 10-G

Cod
755

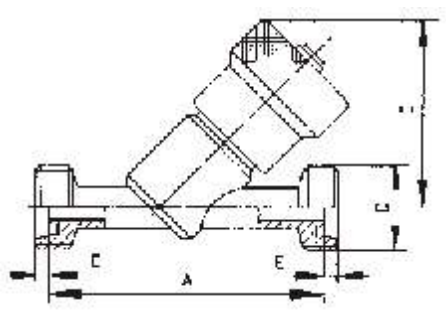


03006

Dn	A	B	C	D	E
10	124		65	Rd 28x1/8"	4
15	134		90	Rd 34x1/8"	4
20	136		102	Rd 44x1/6"	6

Supap cu scaun inclinat F-F
inclined seat valve
Schrägsitzventil Typ KN, G-G

Cod
702

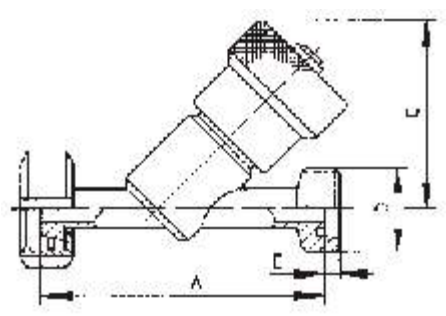


03030

Dn	A	B	C	D	E
10	124		65	Rd 28x1/8"	4
15	134		90	Rd 34x1/8"	4
20	136		102	Rd 44x1/6"	6

Supap cu scaun inclinat F-F
inclined seat valve
Schrägsitzventil Typ KN, G-G

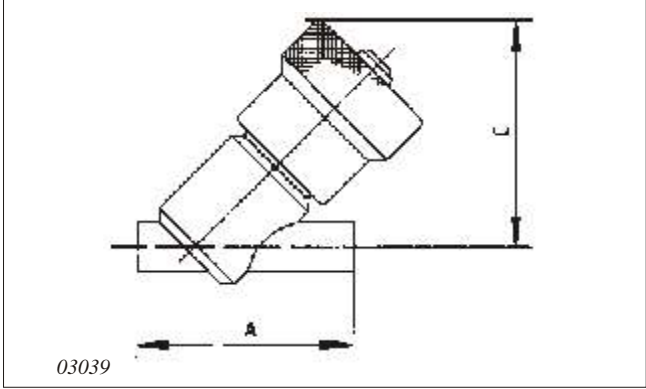
Cod
704



03031

Supap cu scaun înclinat S-S
inclined seat valve
Schrägsitzventil Typ KN, S-S

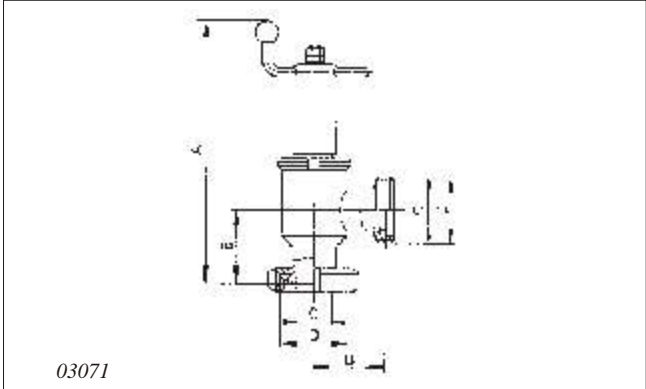
Cod
700



Dn	A	B	C	D	E
10	90		65		
15	100		90		
20	100		102		

Supap de golire 90° O-F
outlet valve
Eckventil Typ VN, K/M-G

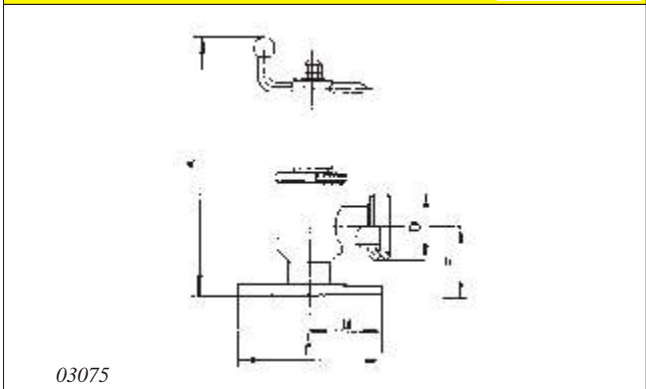
Cod
729



Dn	A	B	C	D	E
25	292	65	26	Rd 52x1/6"	
32	294	70	32	Rd 58x1/6"	
40	325	75	38	Rd 65x1/6"	
50	353	86	50	Rd 78x1/6"	
65	410	97	66	Rd 95x1/6"	
80	495	107	81	Rd 110x1/4"	
100	515	120	100	Rd 130x1/4"	

Supap de golire 90° FI ND 10-F
outlet valve, FI ND 10-G
Eckventil Typ VN, FI ND 10-G

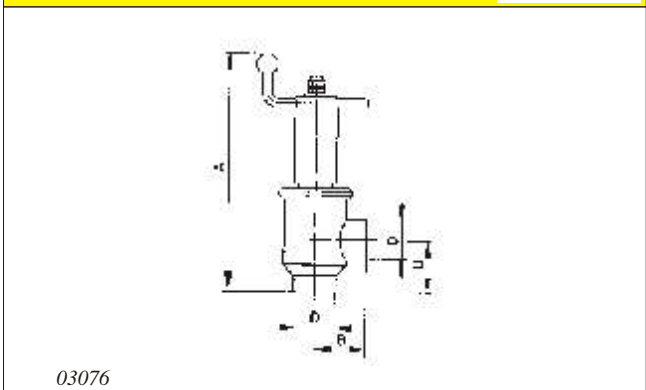
Cod
728



Dn	A	B	C	D	E
25	281	65	115	Rd 52x1/6"	63
32	283	70	140	Rd 58x1/6"	68
40	314	75	150	Rd 65x1/6"	73
50	341	86	165	Rd 78x1/6"	83
65	398	97	185	Rd 95x1/6"	95
80	483	107	200	Rd 110x1/4"	107
100	498	120	220	Rd 130x1/4"	117

Supap de golire 90° S-S
outlet valve
Eckventil Typ VN, S-S

Cod
730



Dn	A	B	C	D	E
25	270	50		26	
32	272	55		32	
40	303	60		38	
50	330	70		50	
65	385	80		66	
80	470	90		81	
100	485	100		100	

Dn	A	B	C	D	E
25	90		264	26	25
32	90		264	32	25
40	90		264	38	25
50	100		270	50	25
65	115		278	66	25
80	130		285	81	25
100	140		306	100	25

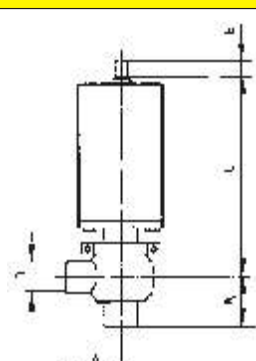
Dn	A	B	C	D	E
25	90		264	26	25
32	90		264	32	25
40	90		264	38	25
50	100		270	50	25
65	115		278	66	25
80	130		285	81	25
100	140		306	100	25

Dn	A	B	C	D	E
25	90	75	340	26	25
32	90	75	340	32	25
40	90	75	340	38	25
50	100	85	355	50	25
65	115	106	384	66	25
80	130	116	401	81	25
100	140	136	442	100	25

Dn	A	B	C	D	E
25	90	75	340	26	25
32	90	75	340	32	25
40	90	75	340	38	25
50	100	85	355	50	25
65	115	106	384	66	25
80	130	116	401	81	25
100	140	136	442	100	25

Ventil L Tip VS, pneumatic
 valve L Type VS, pneumatic
 Ventil L Typ VS, pneumatisch

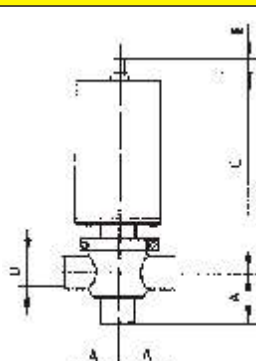
Cod
7730



03079

Ventil T Tip VS, pneumatic
 valve T Type VS, pneumatic
 Ventil T Typ VS, pneumatisch

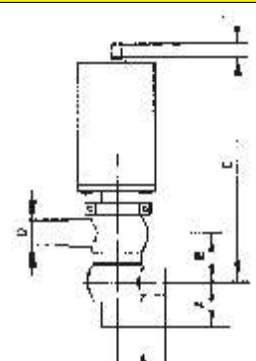
Cod
7731



03109

Ventil LL Tip VS, pneumatic
 valve LL Type VS, pneumatic
 Ventil LL Typ VS, pneumatisch

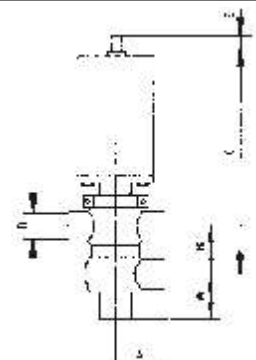
Cod
7732



03139

Ventil TL Tip VS, pneumatic
 valve TL Type VS, pneumatic
 Ventil TL Typ VS, pneumatisch

Cod
7733

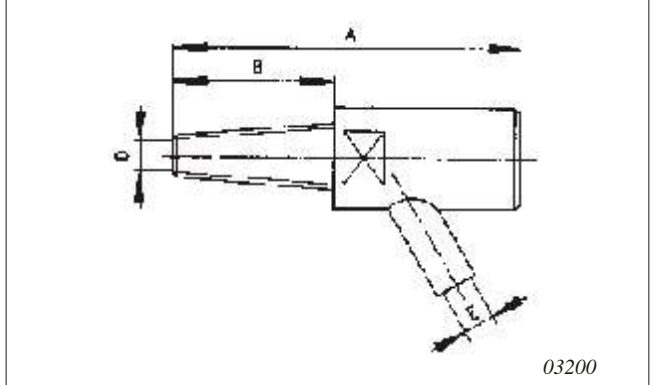


03159

Dn	A	B	C	D	E
				Filet pt. lemn	
10	105	50		13	12

Ventil de încercare
gauge cock for wooden barrel
Probierventil für Holzfaß

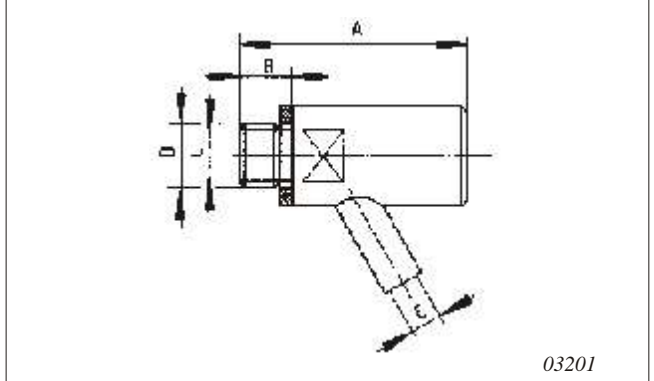
Cod
1002



Dn	A	B	C	D	E
10	82	18	10	R 1/2"	12

Ventil de încercare
gauge cock
Probierventil

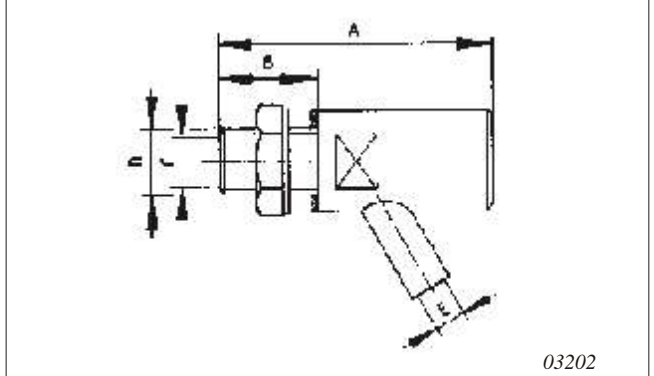
Cod
1000



Dn	A	B	C	D	E
10	87	35	10	R 1/2"	12

Ventil de încercare
gauge cock
Probierventil

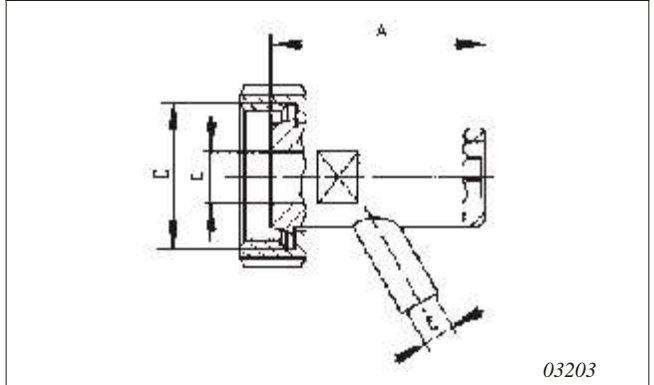
Cod
1001



Dn	A	B	C	D	E
10	67		10	Rd 44x1/6"	12

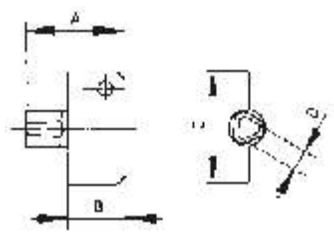
Ventil de încercare cu olandez
gauge cock
Probierventil K/M

Cod
1003



Cheie cu 3 fe e
three-square spanner
Dreikant-Schlüssel

Cod
1004

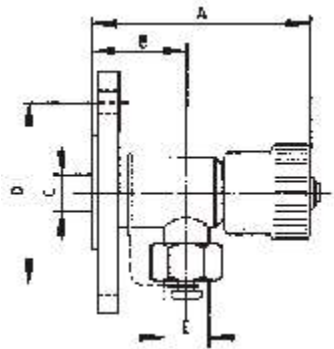


01900

Dn	A	B	C	D	E
10	35	20	40	8	
La cerere se poate livra i in varianta cu 4 fe e can alternatively be delivered as square Alternativ auch als 4-Kant lieferbar					

Supap de încercare FI ND 10
test valve FI ND 10
Probierventil FI ND 10

Cod
1011

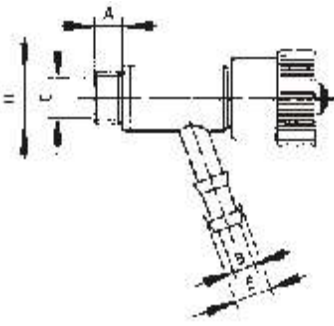


03213

Dn	A	B	C	D	E
10	95	40	14	60	R 1/2"
20	133	53	20	75	R 1/2"

Supap de încercare Ra
test valve Ra
Probierventil Ra

Cod
1006

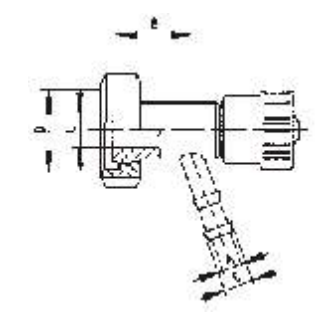


03220

Dn	A	B	C	D	E
10	9	10	14	R 1/2"	14
20	10	21	20	R 1"	25

Supap de încercare O
test valve, K/M
Probierventil, K/M

Cod
1007



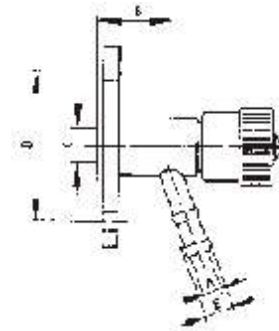
03222

Dn	A	B	C	D	E
10	10	40	14	Rd 44x1/6"	14
20	21	55	20	Rd 44x1/6"	25

Dn	A	B	C	D	E
10	10	40	14	75	14
20	21	55	20	75	25

Supap de încercare FI ND 10
test valve, FI ND 10
Probierventil, FI ND 10

Cod
1008

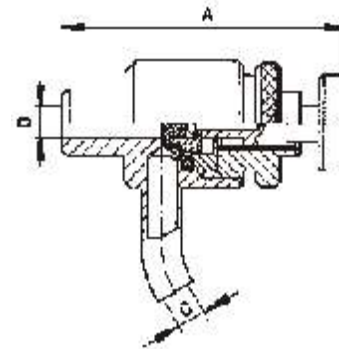


03223

Dn	A	B	C	D	E
6	56			6	

Supap de încercare
test valve
Probierventil

Cod
1013

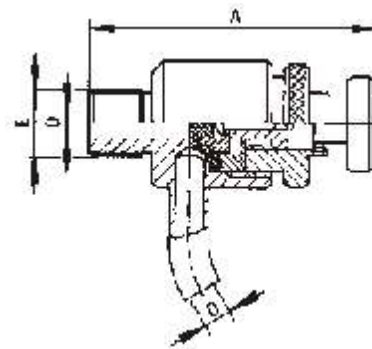


03227

Dn	A	B	C	D	E
6	56			6	R 1/4"
6	56			6	R 1/2"

Supap de încercare
test valve
Probierventil

Cod
1014

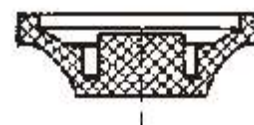


03228

Dn	A	B	C	D	E

Garnitur pt. supap de încercare
seal for test valve
Ersatzdichtung für Probierventil

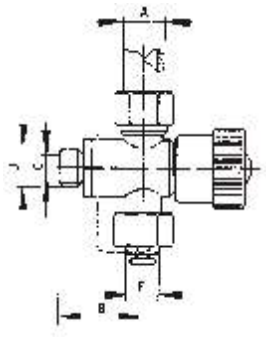
Cod
1013 e



03229

Supap de nivel Ra
level indicator valve, Ra
Standanzeigeventil, Ra

Cod
1020

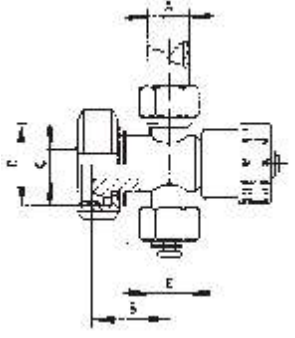


03300

Dn	A	B	C	D	E
10	13x1,5	40	14	R 1/2"	R 1/2"
15	20x3	40	14	R 1/2"	R 1/2"
20	25x3	53	20	R 1"	R 1"

Supap de nivel O
level indicator valve, K/M
Standanzeigeventil, K/M

Cod
1021

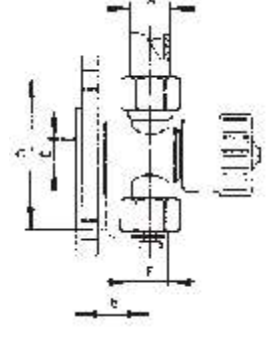


03302

Dn	A	B	C	D	E
10	13x1,5	40	14	Rd 44x1/6"	Rd 1/2"
15	20x3	40	14	Rd 44x1/6"	Rd 1/2"
20	25x3	53	20	Rd 44x1/6"	Rd 1"

Supap de nivel FI ND 10
level indicator valve, FI ND 10
Standanzeigeventil, FI ND 10

Cod
1022

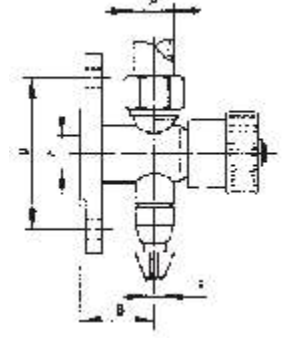


03303

Dn	A	B	C	D	E
10	13x1,5	40	14	75	R 1/2"
15	20x3	40	14	75	R 1/2"
20	25x3	53	20	75	R 1"

Supap cu ventil de golire FI ND 10
level indicator valve with drain cock, FI ND 10
Standanzeigeventil mit Entleerhahn, FI ND 10

Cod
1028



03308

Dn	A	B	C	D	E
10	13x1,5	40	14	75	7
15	20x3	40	14	75	7
20	25x3	53	20	75	7

Dn	A	B	C	D	E
10	13x1,5	40	14	Rd 44x1/6"	7
15	20x3	40	14	Rd 44x1/6"	7
20	25x3	53	20	Rd 44x1/6"	7

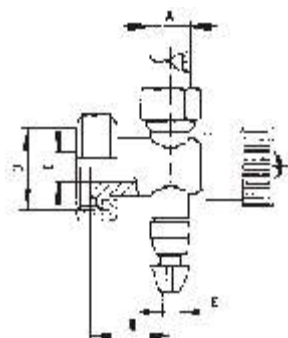
Dn	A	B	C	D	E
10	13x1,5	31	14	R 1/2"	7
15	20x3	31	14	R 1/2"	7
20	25x3	43	20	R 1"	7

Dn	A	B	C	D	E
10	R 1/2"	40	14	Rd 44x1/6"	14
15	R 1/2"	40	14	Rd 44x1/6"	17
20	R 1"	53	20	Rd 44x1/6"	25

Dn	A	B	C	D	E
10	50	40	14	75	14
15	50	40	14	75	17
20	56	53	20	75	25

Supap cu ventil de golire O
level indicator valve with drain cock, K/M
Standanzeigeventil mit Entleerhahn, K/M

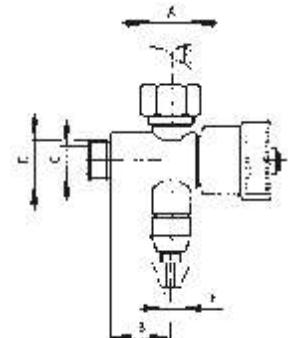
Cod
1027



03307

Supap cu ventil de golire
level indicator valve with drain cock
Standanzeigeventil mit Entleerhahn

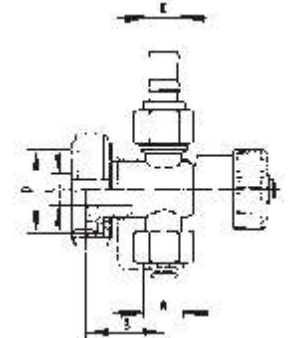
Cod
1026



03305

Supap cu racord pt. tub flexibil O
level indicator valve with hose liner, K/M
Standanzeigeventil mit Schlauchtülle, K/M

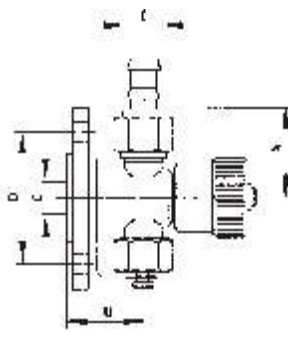
Cod
1024



03310

Supap cu racord pt. tub flexibil
level indicator valve with hose liner, FI ND 10
Standanzeigeventil mit Schlauchtülle, FI ND 10

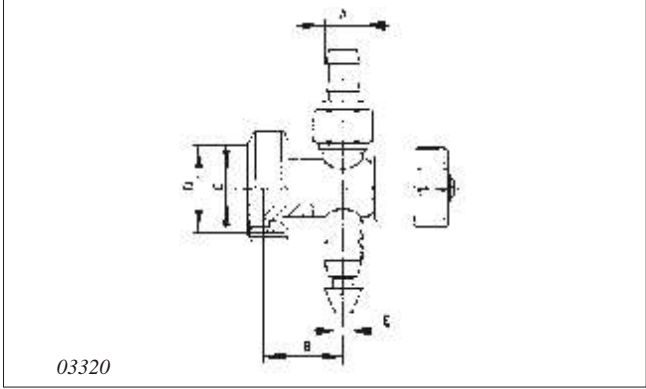
Cod
1025



03312

Supap cu ventil golire i tu pt. furtun
level indicator valve, K/M
Standanzeigventil, K/M

Cod
1030

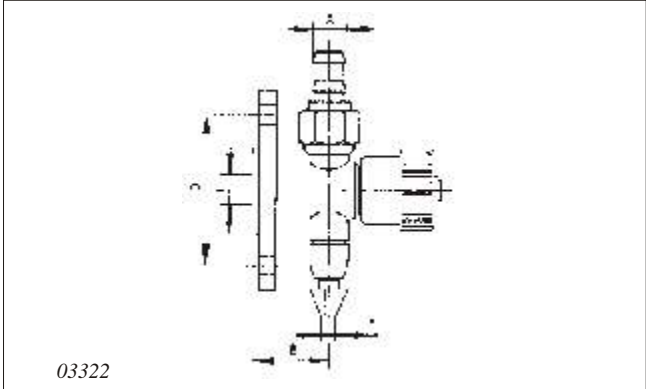


03320

Dn	A	B	C	D	E
10	14	40	14	Rd 44x1/6"	7
15	17	40	14	Rd 44x1/6"	7
20	25	53	20	Rd 44x1/6"	7

Supap cu ventil golire i tu pt. furtun
level indicator valve, FI ND 10
Standanzeigventil, FI ND 10

Cod
1031

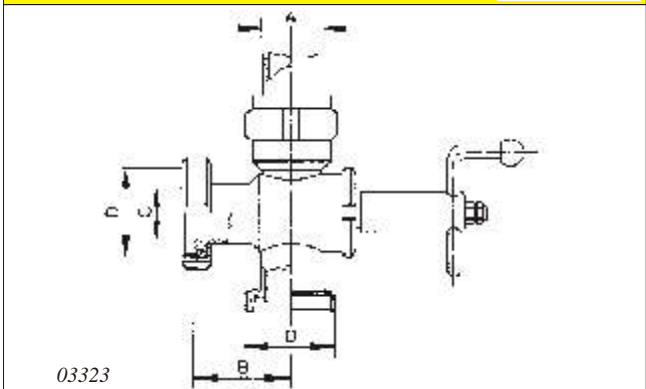


03322

Dn	A	B	C	D	E
10	14	40	14	75	7
15	17	40	14	75	7
20	25	53	20	75	7

Supap de nivel O
level indicator valve, K/M
Standanzeigventil, K/M

Cod
1040

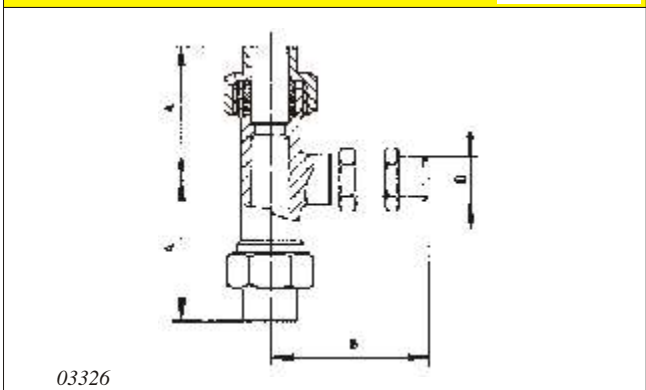


03323

Dn	A	B	C	D	E
25	32x3	65	26	Rd 52x1/6"	
32	40x3	70	32	Rd 58x1/6"	
40	48x3	75	38	Rd 65x1/6"	
50	60x3	86	50	Rd 78x1/6"	

Racord pt. indicator de nivel
intermediate piece for level indicator
Standanzeige-Kupplungsstück

Cod
1032



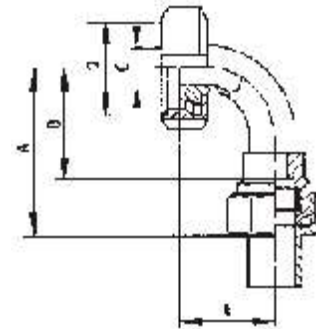
03326

Dn	A	B	C	D	E
10	68	50		R 1/2"	
15	78	80		R 1/2"	
20	78	80		R 1/2"	
25	86	85		R 1/2"	

Dn	A	B	C	D	E
10	66	46	10	Rd 44x1/6"	40
15	70	46	16	Rd 44x1/6"	40
20	76	50	20	Rd 44x1/6"	53
25	86	57	26	Rd 52x1/6"	65
32	105	71	32	Rd 58x1/6"	70
40	110	78	38	Rd 65x1/6"	75
50	120	93	50	Rd 78x1/6"	86

Cot pt. indicator de nivel O
level indicator-elbow, K/M
Standanzeige-Bogen, K/M

Cod
1043 ob



03330

Dn	A	B	C	D	E
10	13x1,5				
15	20x3				
20	25x3				
25	30x3				
32	40x4				
40	50x5				
50	60x5				
Rezist pân la temperatura de 80°C					
Temperature resistant up to 80°C					
Temperaturbeständig bis 80°C					

Tub vizor din plexiglas
inspection glass tube perspex
Schauglas-Rohr, Plexiglas

Cod
1034

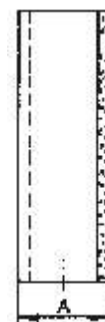


03350

Dn	A	B	C	D	E
10	13x1,5				
15	20x3				
20	25x3				
25	30x3				
32	40x4				
40	50x5				
50	60x5				
Rezist pân la temperatura de 200°C					
Temperature resistant up to 200°C					
Temperaturbeständig bis 200°C					

Tub vizor din sticl termorezistent
inspection glass tube, Jena glass
Schauglas-Rohr, Jenaer Glas

Cod
1035



03351

Dn	A	B	C	D	E
10	16x3				
15	24x4				
20	32x5				
25	34x4,5				
32	42x5				
40	48x5				
50	62x6				

Tub flexibil de presiune transparent
high-pressure transparent hose, PVC-reinforced
Höhdruk-Klarsichtschlauch, PVC-Nylongewebe

Cod
1036

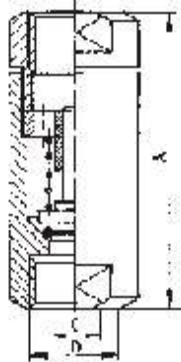


03352

Dn	A	B	C	D	E
3/8"	65		9	R 3/8"	
1/2"	80		14	R 1/2"	
3/4"	80		20	R 3/4"	
1"	85		24	R 1"	

Supap de re inere cu disc - oli
non-return valve, disc type, inch
Tellerrückschlagventil, Zoll

Cod
770 z

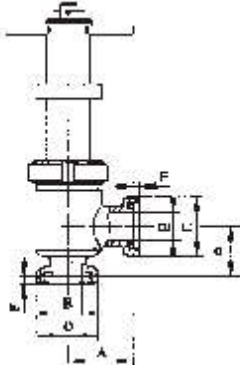


03416

Dn	A	B	C	D	E
25	65	26		Rd 52x1/6"	7
32	70	32		Rd 58x1/6"	7
40	75	37		Rd 65x1/6"	7
50	86	49		Rd 78x1/6"	7
65	97	66		Rd 95x1/6"	8
80	107	81		Rd 110x1/4"	8

Supap de siguran 90° F-F
overflow angle valve, G-G
Überström-Eckventil, G-G

Cod
744

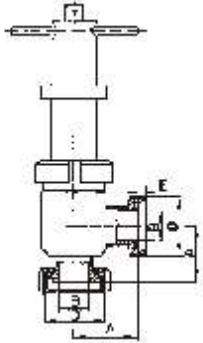


03550

Dn	A	B	C	D	E
25	65	26		Rd 52x1/6"	7
32	70	32		Rd 58x1/6"	7
40	75	37		Rd 65x1/6"	7
50	86	49		Rd 78x1/6"	7
65	97	66		Rd 95x1/6"	8
80	107	81		Rd 110x1/4"	8

Supap de siguran 90° O-F
overflow angle valve, K/M-G
Überström-Eckventil, K/M-G

Cod
743

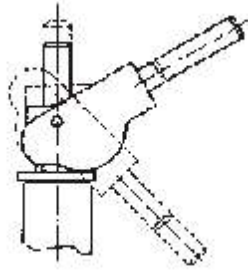


03552

Dn	A	B	C	D	E

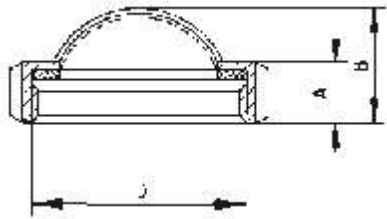
Dispozitiv manual de deschidere
manual opening device
Anhebevorrichtung handbetätigt

Cod
745



03556

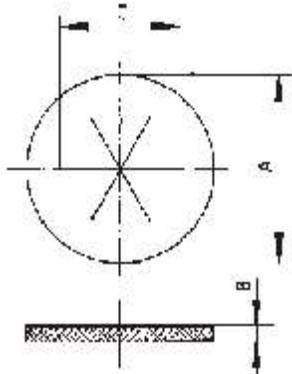
Supap de siguran din cauciuc
rubber lip valve
Gumilippenventil **Cod 1055**



01560

Dn	A	B	C	D	E
25	21	33		Rd 52x1/6"	
32	21	36		Rd 58x1/6"	
40	21	38		Rd 65x1/6"	
50	22	43		Rd 78x1/6"	
65	25	50		Rd 95x1/6"	
80	30	60		Rd 110x1/4"	
100	31	67		Rd 130x1/4"	

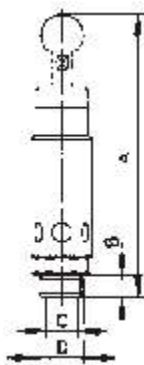
Rondel de cauciuc
rubber lip valve disc
Gumilippenventilscheibe **Cod 1055 G**



01561

Dn	A	B	C	D	E
25	52	1,5	32		
32	58	1,5	38		
40	65	1,5	42		
50	78	2	56		
65	95	2,5	60		
80	112	2,5	60		
100	132	3,5	60		

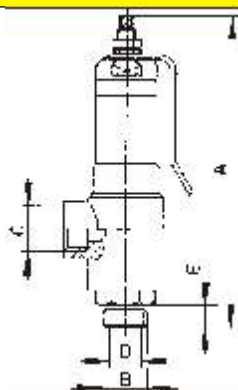
Supap de siguran cu arc
safety valve, spring loaded
Sicherheitsventil, federbelastet **Cod 800**



03512

Dn	A	B	C	D	E
25	180	16	25	Rd 52x1/6"	
32	180	16	32	Rd 58x1/6"	
40	180	16	40	Rd 65x1/6"	

Supap de siguran cu arc
safety valve, spring loaded
Sicherheitsventil, federbelastet **Cod 801**



03515

Dn	A	B	C	D	E
20	252	R 1"	R 1"	20	16
25	256	R 1 1/4"	R 1 1/4"	25	16
32	265	R 1 1/2"	R 1 1/2"	32	20
40	270	R 2"	R 2"	38	20

Dn	A	B	C	D	E
10	64	84	88	Rd 29x1/8"	145
15	64	84	88	Rd 34x1/8"	145
20	64	84	88	Rd 44x1/6"	145
25	64	84	81	Rd 52x1/6"	145
32	64	90	84	Rd 58x1/6"	145
40	72	96	86	Rd 65x1/6"	145
50	72	110	92	Rd 78x1/6"	145
65	76	127	101	Rd 95x1/6"	145
80	100	142	114	Rd 110x1/4"	185
100	104	162	124	Rd 130x1/4"	185
125	112	200	143	Rd 160x1/4"	215
150	112	230	160	Rd 190x1/4"	265

Dn	A	B	C	D	E
25	74		81	Rd 52x1/6"	145
32	78		84	Rd 58x1/6"	145
40	87		86	Rd 65x1/6"	145
50	89		92	Rd 78x1/6"	145
65	95		101	Rd 95x1/6"	145
80	117		114	Rd 110x1/4"	185
100	128		124	Rd 130x1/4"	185
125	146		143	Rd 160x1/4"	215
150	151		160	Rd 190x1/4"	265

Dn	A	B	C	D	E
25	40		81	26	145
32	42		84	32	145
40	50		86	38	145
50	50		92	50	145
65	50		101	66	145
80	60		114	81	185
100	64		124	100	185
125	90		143	125	215
150	112		160	150	265

Dn	A	B	C	D	E
25	93	115	81	Rd 52x1/6"	145
32	94	140	84	Rd 58x1/6"	145
40	102	150	86	Rd 65x1/6"	145
50	102	165	92	Rd 78x1/6"	145
65	106	185	101	Rd 95x1/6"	145
80	123	200	114	Rd 110x1/4"	185
100	127	220	124	Rd 130x1/4"	185
125	157	250	143	Rd 160x1/4"	215
150	146	285	160	Rd 190x1/4"	265

Robinet cu clapetă F-F
butterfly valve, G-G
Scheibenventil, G-G

Cod
655

04300

Robinet cu clapetă O-F
butterfly valve, K/M-G
Scheibenventil, K/M-G

Cod
656

04301

Robinet cu clapetă S-S
butterfly valve, S-S
Scheibenventil, S-S

Cod
622

04302

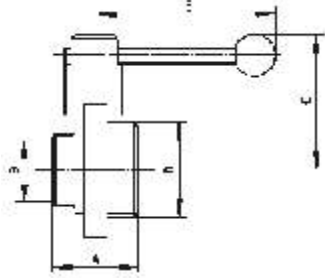
Robinet cu clapetă FI ND 10-G
butterfly valve, FI ND 10-G
Scheibenventil, FI ND 10-G

Cod
657

04304

Robinet cu clapetă S-F
butterfly valve, S-G
Scheibenventil, S-G

Cod
652

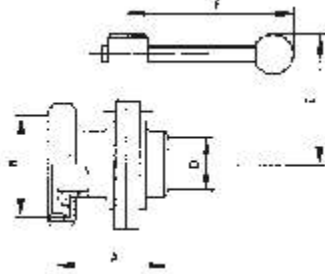


04305

Dn	A	B	C	D	E
25	52	26	81	Rd 52x1/6"	145
32	53	32	84	Rd 58x1/6"	145
40	61	38	86	Rd 65x1/6"	145
50	61	50	92	Rd 78x1/6"	145
65	63	66	101	Rd 95x1/6"	145
80	80	81	114	Rd 110x1/4"	185
100	84	100	124	Rd 130x1/4"	185
125	101	125	143	Rd 160x1/4"	215
150	112	150	160	Rd 190x1/4"	265

Robinet cu clapetă O-S
butterfly valve, K/M-G
Scheibenventil, K/M-G

Cod
662

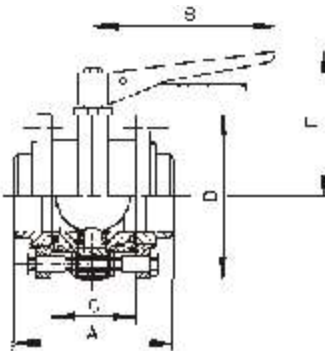


04306

Dn	A	B	C	D	E
25	64	26	81	Rd 52x1/6"	145
32	67	32	84	Rd 58x1/6"	145
40	76	38	86	Rd 65x1/6"	145
50	78	50	92	Rd 78x1/6"	145
65	82	66	101	Rd 95x1/6"	145
80	97	81	114	Rd 110x1/4"	185
100	108	100	124	Rd 130x1/4"	185
125	127	125	143	Rd 160x1/4"	215
150	146	150	160	Rd 190x1/4"	265

Robinet cu clapetă cu flanșe S-S
butterfly valve for intermediate flange, S-S
Scheibenventil zum Zwischenflanschen, S-S

Cod
6641

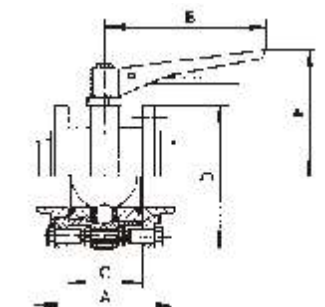


04317

Dn	A	B	C	D	E
25	104	180	64	84	101
32	106	180	64	90	104
40	108	180	58	96	108
50	108	180	58	110	115
65	108	180	58	127	123
80	144	180	84	142	131
100	148	180	84	162	141
125	164	230	84	200	165
150	164	230	84	230	180

Robinet cu clapetă cu flanșe - poli
butterfly valve for intermediate flange, inch
Scheibenventil zum Zwischenflanschen, Zoll

Cod
6641 Z



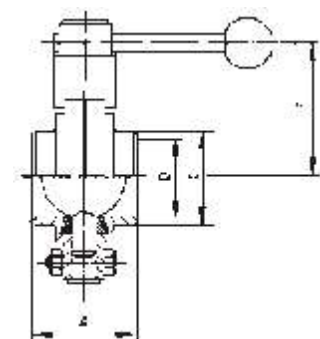
34317

Dn	A	B	C	D	E
1"	128	180	64	84	101
1 1/2"	130	180	58	96	108
2"	130	180	58	110	115
2 1/2"	134	180	58	127	123
3"	184	180	84	142	131
4"	188	180	84	162	141
6"	198	230	84	230	180

Dn	A	B	C	D	E
1"	40	25,4		22,1	81
1 1/2"	50	38,1		34,8	86
2"	50	50,8		47,5	92
2 1/2"	60	63,5		60,2	101
3"	60	76,2		72,2	101
4"	64	101,6		97,6	124

Robinet cu clapetă - poli S-S
butterfly valve, inch S-S
Scheibenventil, Zoll S-S

Cod
623

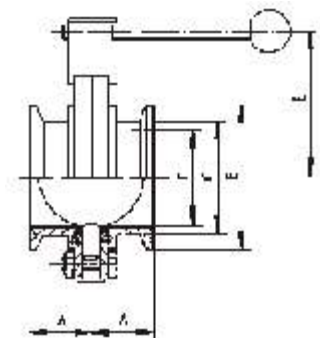


34302

Dn	A	B	C	D	E
1"	32	50,5	43,7	22,1	81
1 1/2"	36	50,5	43,7	34,8	88
2"	36	64,0	56,4	47,5	94
2 1/2"	38	77,5	70,7	60,2	103
3"	40	91,0	83,4	72,2	106
4"	51	119,0	110,4	97,6	124
6"	57	166,8	156,4	146,8	200

Robinet cu clapetă cu manºon - poli
butterfly valve, clamp, inch
Scheibenventil, clamp, Zoll

Cod
644 Z

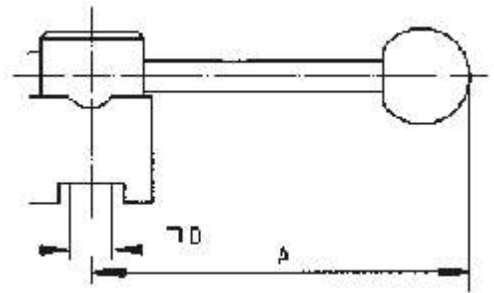


34330

Dn	A	B	C	D	E
25	115			9,5	
32	115			9,5	
40	145			9,5	
50	145			9,5	
65	145			9,5	
80	151			9,5	
100	151			12	
125	236			12	
150	236			14	

Manetă de acționare
pull handle
Zugriff

Cod
620

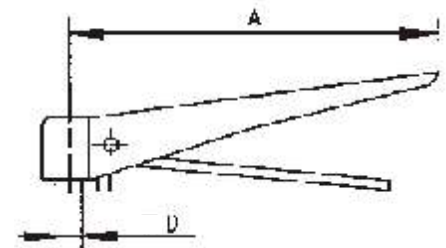


04341

Dn	A	B	C	D	E
25	155			S 9,5	
32	155			S 9,5	
40	155			S 9,5	
50	155			S 9,5	
65	155			S 9,5	
80	180			S 9,5	
100	180			S 12	
125	290			S 12	
150	290			S 14	

Manetă de acționare cu levier
trigger handle
Züingriff

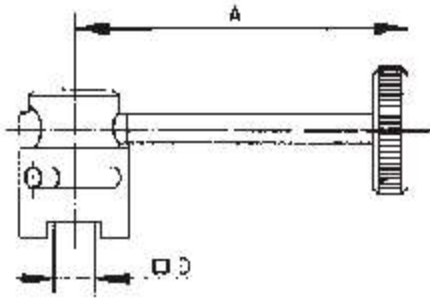
Cod
661



04340

Manetă de acționare
 handle with steplessly adjustable locking
 Handgriff, Stufenlos arretierbar

Cod
 658

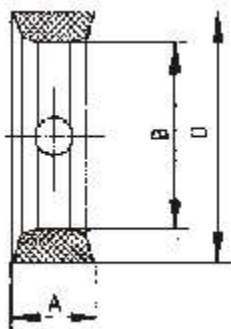


04346

Dn	A	B	C	D	E
25	125			9,5	
32	125			9,5	
40	125			9,5	
50	125			9,5	
65	125			9,5	
80	145			9,5	
100	145			12	
125	215			12	
150	265			14	

Garnitură pt. robinet cu clapetă
 replacement seal for butterfly valve
 Ersatzdichtung für Scheibenventil

Cod
 676

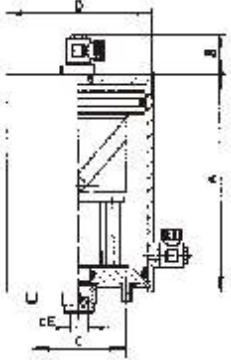


04350

Dn	A	B	C	D	E
25	20	26		40	
32	20	32		48	
40	21	38		54	
50	21	50		66	
65	22	66		84	
80	24	81		100	
100	26,5	100		115	
125	30	125		150,3	
150	30	150		175	

Acționare pneumatică, aer-aer
 pneumatic actuator, air-air
 Pneumatischer Antrieb, Luft-Luft

Cod
 677

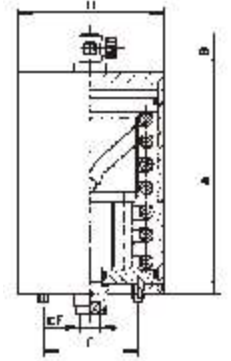


04360

Dn	A	B	C	D	E
25	90	165			9,5
32	90	165			9,5
40	90	165			9,5
50	90	165			9,5
65	90	165			9,5
80	90	165			9,5
100	90	165			9,5
125	133	170			14
150	133	170			14

Acționare pneumatică, aer-arc
 pneumatic actuator, air-spring
 pneumat. Antrieb, Luft-Feder

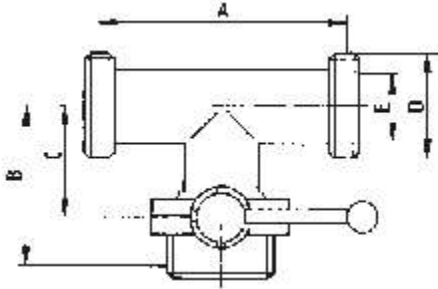
Cod
 678



04361

Dn	A	B	C	D	E
25	90	165			9,5
32	90	165			9,5
40	90	165			9,5
50	90	165			9,5
65	90	165			9,5
80	90	165			9,5
100	90	165			9,5
125	133	170			14
150	133	170			14

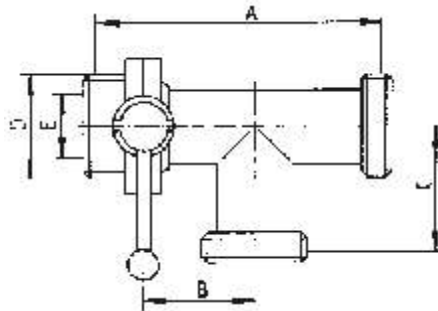
Montaj T, 1 robinet cu clapet F-F-F Cod
multi-way-butterfly valve, G-G-G 672
Scheiben-Mehrwegeventil, G-G-G



04310

Dn	A	B	C	D	E
25	130	95	70	Rd 52x1/6"	26
32	140	101	76	Rd 58x1/6"	32
40	150	114	85	Rd 65x1/6"	38
50	172	124	95	Rd 78x1/6"	50
65	194	135	105	Rd 95x1/6"	66
80	214	162	120	Rd 110x1/4"	81
100	240	174	132	Rd 130x1/4"	100
125	423	271,5	227,5	Rd 160x1/4"	125
150	502	309	265	Rd 190x1/4"	150

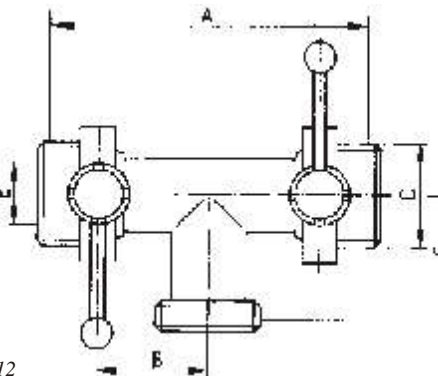
Montaj T, 1 robinet cu clapet F-F-F Cod
multi-way-butterfly valve, G-G-G 671
Scheiben-Mehrwegeventil, G-G-G



04311

Dn	A	B	C	D	E
25	160	70	65	Rd 52x1/6"	26
32	171	76	70	Rd 58x1/6"	32
40	189	85	75	Rd 65x1/6"	38
50	210	95	86	Rd 78x1/6"	50
65	232	105	97	Rd 95x1/6"	66
80	269	120	107	Rd 110x1/4"	81
100	294	132	120	Rd 130x1/4"	100
125	483	227,5	211,5	Rd 160x1/4"	125
150	560	265	251	Rd 190x1/4"	150

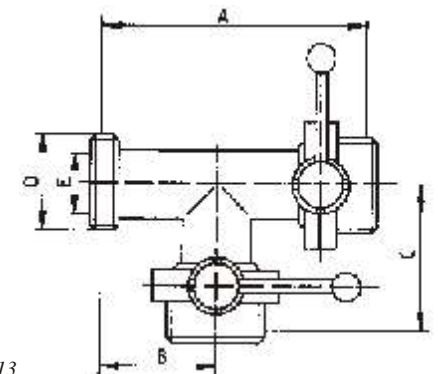
Montaj T, 2 robinet i cu clapet F-F-F Cod
multi-way-butterfly valve, G-G-G 673
Scheiben-Mehrwegeventil, G-G-G



04312

Dn	A	B	C	D	E
25	190	70	65	Rd 52x1/6"	26
32	202	76	70	Rd 58x1/6"	32
40	228	85	75	Rd 65x1/6"	38
50	248	95	86	Rd 78x1/6"	50
65	270	105	97	Rd 95x1/6"	66
80	324	120	107	Rd 110x1/4"	81
100	348	132	120	Rd 130x1/4"	100
125	543	227,5	211,5	Rd 160x1/4"	125
150	618	265	251	Rd 190x1/4"	150

Montaj T, 2 robinet i cu clapet F-F-F Cod
multi-way-butterfly valve, G-G-G 675
Scheiben-Mehrwegeventil, G-G-G



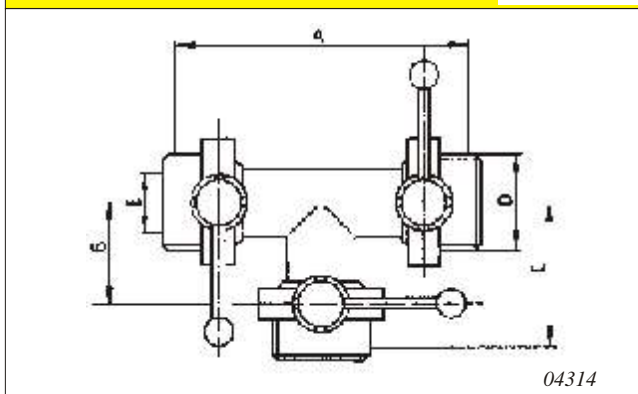
04313

Dn	A	B	C	D	E
25	160	65	95	Rd 52x1/6"	26
32	171	70	101	Rd 58x1/6"	32
40	189	75	114	Rd 65x1/6"	38
50	210	86	124	Rd 78x1/6"	50
65	232	97	135	Rd 95x1/6"	66
80	269	107	162	Rd 110x1/4"	81
100	294	120	174	Rd 130x1/4"	100
125	483	211,5	271,5	Rd 160x1/4"	125
150	560	251	309	Rd 190x1/4"	150

Dn	A	B	C	D	E
25	190	70	95	Rd 52x1/6"	26
32	202	76	101	Rd 58x1/6"	32
40	228	85	114	Rd 65x1/6"	38
50	248	95	124	Rd 78x1/6"	50
65	270	105	135	Rd 95x1/6"	66
80	324	120	162	Rd 110x1/4"	81
100	348	132	174	Rd 130x1/4"	100
125	543	227,5	271,5	Rd 160x1/4"	125
150	618	265	309	Rd 190x1/4"	150

Montaj T, 3 robine i cu clapet F-F-F
 multi-way-butterfly valve, G-G-G
 Scheiben-Mehrwegeventil, G-G-G

Cod
6555

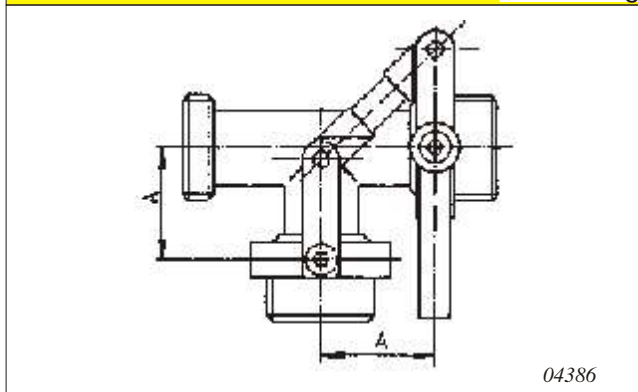


04314

Dn	A	B	C	D	E
25	70				
32	76				
40	85				
50	95				
65	105				
80	120				
100	132				
125	227,5				
150	265				
cu ac ionare manual simultan					

Montaj T, 2 robine i cu clapet
 butterfly valve switching comb., man. activated
 Scheibenventil-Schaltkombination, handbet.

Cod
6675 g

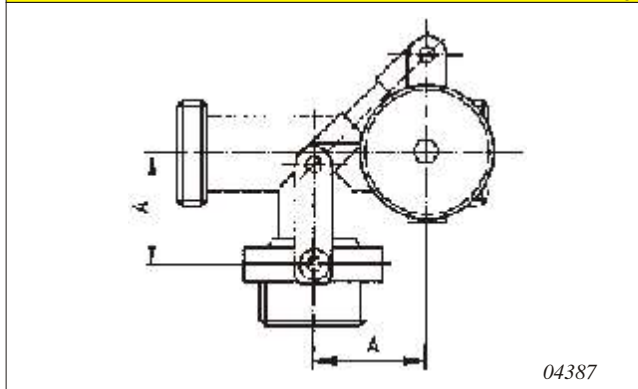


04386

Dn	A	B	C	D	E
25	70				
32	76				
40	85				
50	95				
65	105				
80	120				
100	132				
125	227,5				
150	265				
cu ac ionare pneumatic simultan					

Montaj T, 2 robine i cu clapet
 butterfly valve switching comb., pneum. activated
 Scheibenventil-Schaltkombination, pneumatisch

Cod
6675 p

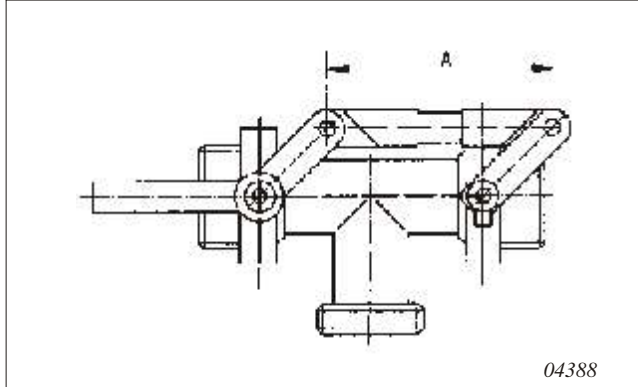


04387

Dn	A	B	C	D	E
25	140				
32	152				
40	170				
50	190				
65	210				
80	240				
100	264				
125	455				
150	530				
cu ac ionare manual simultan					

Montaj T, 2 robine i cu clapet
 butterfly valve switching comb., man. activated
 Scheibenventil-Schaltkombination, handbet.

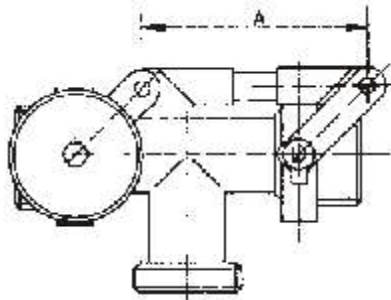
Cod
6675 g1



04388

Montaj T, 2 robine i cu clapet
 butterfly valve switching comb., pneum. activated
 Scheibenventil-Schaltkombination, pneumatisch

Cod
6675 p1

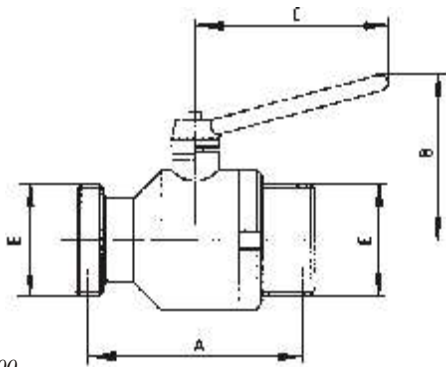


04389

Dn	A	B	C	D	E
25	140				
32	152				
40	170				
50	190				
65	210				
80	240				
100	264				
125	455				
150	530				
cu ac ionare pneumatic simultan					

Robinet cu bil F-F
 straight-way ball cock, G-G
 Durchgangs-Kugelhahn, G-G

Cod
855

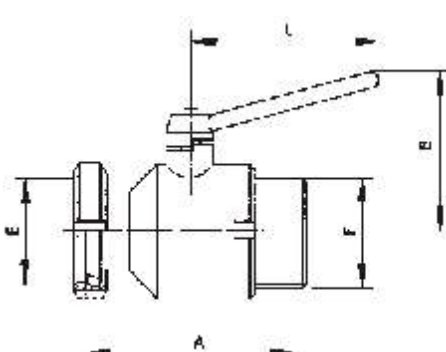


04400

Dn	A	B	C	D	E
20	106	85	110		Rd 44x1/6"
25	109	85	110		Rd 52x1/6"
32	115	88	110		Rd 58x1/6"
40	127	110	148		Rd 65x1/6"
50	137	120	148		Rd 78x1/6"
65	160	130	148		Rd 95x1/6"
80	189	160	250		Rd 110x1/4"

Robinet cu bil O-F
 straight-way ball cock, K/M-G
 Durchgangs-Kugelhahn, K/M-G

Cod
856

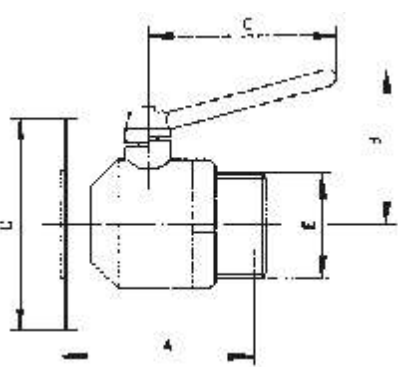


04401

Dn	A	B	C	D	E
20	106	85	110		Rd 44x1/6"
25	109	85	110		Rd 52x1/6"
32	115	88	110		Rd 58x1/6"
40	127	110	148		Rd 65x1/6"
50	137	120	148		Rd 78x1/6"
65	160	130	148		Rd 95x1/6"
80	189	160	250		Rd 110x1/4"

Robinet cu bil FI ND 10-F
 straight-way ball cock, FI ND 10-G
 Durchgangs-Kugelhahn, FI ND 10-G

Cod
857



04406

Dn	A	B	C	D	E
20	101	85	110	105	Rd 44x1/6"
25	100	85	110	115	Rd 52x1/6"
32	103	88	110	140	Rd 58x1/6"
40	114	110	148	150	Rd 65x1/6"
50	124	120	148	165	Rd 78x1/6"
65	143	130	148	185	Rd 95x1/6"
80	169	160	250	200	Rd 110x1/4"

Dn	A	B	C	D	E
25	57	89	110	26	Rd 52x1/6"
32	65	94	110	32	Rd 58x1/6"
40	72	117	148	38	Rd 65x1/6"
50	80	127	148	50	Rd 78x1/6"
65	95	147	185	66	Rd 95x1/6"
	98	--	--	80	Rd 110x1/4"
	130	--	--	100	Rd 130x1/4"

Robinet cu bilă cu 3 c i F-F-F
three-way ball cock, G-G-G
Dreiweg-Kugelhahn, G-G-G

Cod
8555

04500

Dn	A	B	C	D	E
17,5	50	25	17,5	R 3/4"	
37	70	28	37	W 47x1/9"	(scurt)
37	100	28	37	W 47x1/9"	
40	70	28	40	M 53x3	(scurt)
40	100	28	40	M 53x3	
50	70	30	50	Rd 65x1/6"	(scurt)
50	100	30	50	Rd 65x1/6"	
65	60	30	66	Rd 78x1/6"	

Racord cu clapet cu con de etanșare
tap closing valve with sealing cone
Klappenbüchse mit Dichtkegel

Cod
1120

04100

Dn	A	B	C	D	E
40	120		38	Rd 65x1/6"	R 2 1/2"
50	130		50	Rd 78x1/6"	R 3"

Vană cu guler
drain valve with collar
Ablaßschieber mit Bund

Cod
1060

04100

Dn	A	B	C	D	E
40				S 8	
50				S 12	

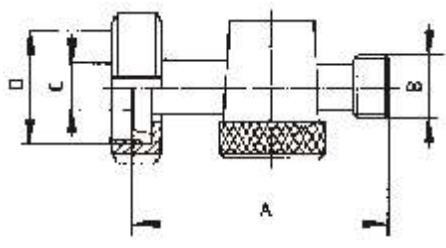
Cheie p. trat. pt. vane cu guler
square spanner for drain valve
Vierkant-Schlüssel für Ablaßschieber

Cod
1063

01901

Robinet de încercare O-Ra
try cock K/M-Ra
Zwickelhahn K/M-Ra

Cod
692

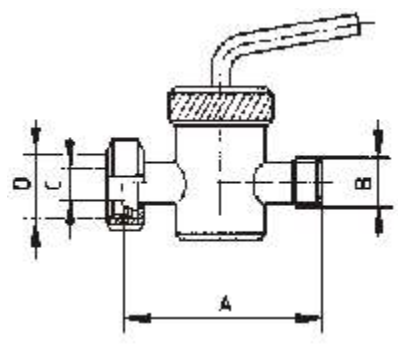


04242

Dn	A	B	C	D	E
10	74	R 5/8"	8	Rd 28x1/8"	
10	74	Cromer	8	Rd 28x1/8"	

Robinet de trecere O-Ra
straight-way cock K/M-Ra
Durchgangshahn K/M-Ra

Cod
690

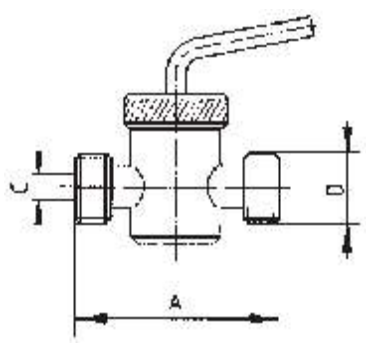


04252

Dn	A	B	C	D	E
10	74	R 5/8"	8	Rd 28x1/8"	
15	74	R 1/2"	13	Rd 28x1/8"	
20	74	Cromer	17	Rd 28x1/8"	

Robinet tip canea cu 2 c i F-F
straight-way cock G-G
Durchgangshahn G-G

Cod
680

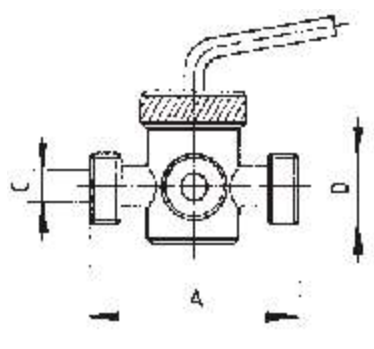


04250

Dn	A	B	C	D	E
10	77		10	Rd 28x1/8"	
15	82		15	Rd 34x1/8"	
20	93		20	Rd 44x1/6"	
25	106		26	Rd 52x1/6"	
32	126		32	Rd 58x1/6"	
40	146		38	Rd 65x1/6"	
50	156		49	Rd 78x1/6"	
65	184		66	Rd 95x1/6"	

Robinet tip canea cu 3 c i F-F-F
straight-way cock G-G-G
Durchgangshahn G-G-G

Cod
681



04260

Dn	A	B	C	D	E
10	77		10	Rd 28x1/8"	
15	82		15	Rd 34x1/8"	
20	93		20	Rd 44x1/6"	
25	106		26	Rd 52x1/6"	
32	126		32	Rd 58x1/6"	
40	146		38	Rd 65x1/6"	
50	156		49	Rd 78x1/6"	
65	184		66	Rd 95x1/6"	

Dn	A	B	C	D	E
10	14	45	9	Cromer	
10	14	45	9	R 5/8"	
15	18	58	13	R 3/4"	
20	23	62	18	R 1"	

Dn	A	B	C	D	E
10	14		9	Cromer	
10	14		9	R 5/8"	
15	18		13	R 3/4"	
20	23		18	R 1"	

Dn	A	B	C	D	E
1/4"	55	10	4	R 1/4"	
3/8"	62	10	6	R 3/8"	
1/2"	72	14	8	R 1/2"	
3/4"	100	16	12	R 3/4"	
1"	134	20	20	R 1"	

Dn	A	B	C	D	E
1/4"	72	10	4	R 1/4"	9
3/8"	81	10	6	R 3/8"	11
1/2"	91	14	8	R 1/2"	13
3/4"	124	16	12	R 3/4"	19
1"	155	20	20	R 1"	25

Racord pentru tub flexibil
straight hose liner
Schlauchbundstutzen, gerade

Cod
696

01861

Cot pentru tub flexibil, 60°
hose liner elbow, type 60°
Schlauchbundstutzen, type 60°

Cod
697

01862

Robinet de golire cu cioc 90° - oli
draining cock with spout 90°, Ra
Ablaßhahn mit Auslaufbogen 90°, Ra

Cod
684 Z

04281

Robinet de golire cu cioc 90° - oli
draining cock with spout 90°, Ra
Ablaßhahn mit Auslaufbogen 90°, Ra

Cod
686 Z

04282

Dn	A	B	C	D	E
10	88	80	15	10	45
15	88	80	21	16	55
20	88	80	25	20	59
25	98	80	31	26	78
32	104	80	37	32	81
40	112	80	43	38	87
50	112	80	55	50	99
65	127	100	72	66	118
80	135	100	87	81	129
100	169	100	106	100	150
125	202	150	132	125	180
150	216	150	157	150	180

Dn	A	B	C	D	E
25	200	80	26	Rd 52x1/6"	78
32	210	80	32	Rd 58x1/6"	81
40	220	80	38	Rd 65x1/6"	87
50	230	80	50	Rd 78x1/6"	99
65	250	100	66	Rd 95x1/6"	118
80	270	100	81	Rd 110x1/4"	129
100	320	100	100	Rd 130x1/4"	150

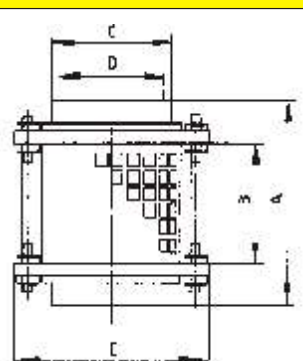
Dn	A	B	C	D	E
					Presiune max.
10	60	10		15	10 bar
15	60	17		22	10 bar
20	60	20		26	10 bar
25	70	26		32	10 bar
32	70	34		40	10 bar
40	70	40		50	10 bar
50	70	50		60	10 bar
65	85	65		75	10 bar
80	85	80		90	8 bar
100	115	100		110	8 bar
125	160	126		140	7 bar
150	170	156		170	7 bar

Temperatura maxim : 250°C

Dn	A	B	C	D	E
10	3	10		15	
15	3	16		22	
20	3	20		26	
25	4	26		33	
32	4	32		40	
40	4	38		51	
50	4	50		62	
65	4	66		77	
80	4	81		93	
100	4	100		111	
125	4	125		141	
150	6	150		172	

Vizor de control S-S
cylinder sight glass, S-S
Schaulaterne, S-S

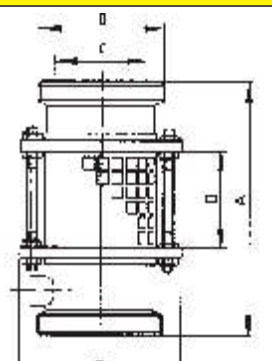
Cod
779



05309

Vizor de control cu tu I F-F
cylinder sight glass with nipple, G-G
Schaulaterne mit Anschweißmuffe, S-S

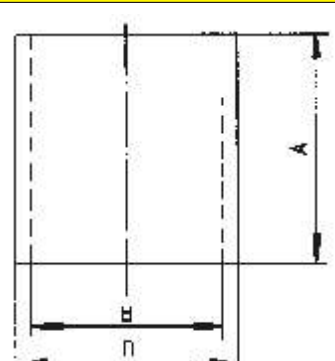
Cod
786



05320

Tub de sticl pt. vizor de control
glass for cylinder sight glass
Ersatzglas für Schaulaterne

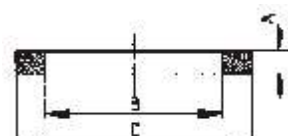
Cod
783



05350

Garnitura pt. vizor de control
Sealing for cylinder sight glass
Dichtung für Schaulaterne

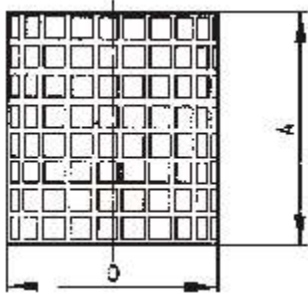
Cod
784



05351

Plas de protec ie pt. vizor de control
 protectiv grating for cylinder sight glass
 Schutzgitter für Schaulaterne

Cod
785

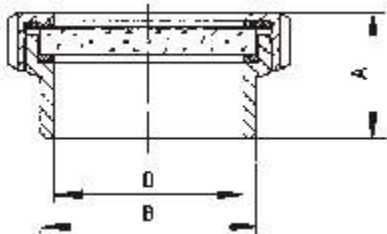


05352

Dn	A	B	C	D	E
10	54		18		
15	54		25		
20	54		30		
25	62		35		
32	62		43		
40	62		52		
50	62		63		
65	75		78		
80	75		93		
100	105		113		
125	150		145		
150	164		175		

Vizor de inspec ie
 inspection glass
 Schauglas

Cod
787 s



05360

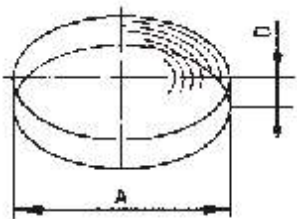
Dn	A	B	C	D	E
25	35	31		26	20 bar
32	38	37		32	12 bar
40	40	43		38	12 bar
50	42	55		50	12 bar
65	49	72		66	10 bar
80	54	87		81	10 bar
100	65	106		100	10 bar
125	55	132		125	8 bar
150	60	157		150	6 bar

Temperatura maxim : 150°C - sticl presat
 300°C - sticl borosilicatic

E - Presiunea maxim

Lentil pt. vizor de inspec ie
 replacement glass for inspection glass
 Ersatzglas für Schauglas

Cod
788



05366

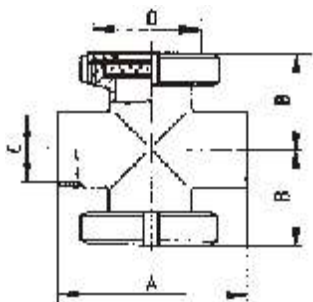
Dn	A	B	C	D	E
25	40			12	20 bar
32	45			12	12 bar
40	50			12	12 bar
50	68			12	12 bar
65	80			12	10 bar
80	95			15	10 bar
100	115			15	10 bar
125	145			15	8 bar
150	175			20	6 bar

Temperatura maxim : 150°C - sticl presat
 300°C - sticl borosilicatic

E - Presiunea maxim

Vizor de inspec ie cu 2 fe e S-S
 inspection glass with 2 ports, S-S
 Schauglas mit 2 Bullaugen, S-S

Cod
796



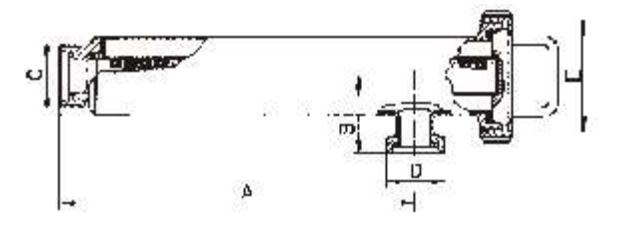
05362

Dn	A	B	C	D	E
25	100	50	25	Rd 52x1/6"	
32	110	57	31	Rd 58x1/6"	
40	120	63	37	Rd 65x1/6"	
50	140	71	49	Rd 78x1/6"	
65	160	88	66	Rd 95x1/6"	
80	180	101	81	Rd 110x1/4"	
100	200	124	100	Rd 130x1/4"	
125	375	126	125	Rd 160x1/4"	
150	450	144	150	Rd 190x1/4"	

Dn	A	B	C	D	E
25	327	90	26	Rd 52x1/6"	Rd 78x1/6"
32	327	90	32	Rd 58x1/6"	Rd 95x1/6"
40	340	115	38	Rd 65x1/6"	Rd 95x1/6"
50	340	115	50	Rd 78x1/6"	Rd 130x1/4"
65	325	115	66	Rd 95x1/6"	Rd 130x1/4"
80	560	160	81	Rd 110x1/6"	Rd 160x1/4"
100	560	160	100	Rd 130x1/6"	Flan

Tub filtrant F-F
strainer angel type, G-G
Eckrohrsieb, G-G

Cod
581

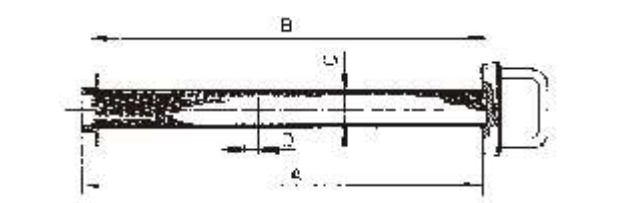


05410

Dn	A	B	C	D	E
25	376	285	27	0,5x10	
32	378	285	33	0,5x10	
40	409	297	39	0,5x10	
50	450	351	51	0,5x10	
65	432	423	67	0,5x10	
80	659	592	83	1 x10	
100	659	592	102	1 x10	

Filtru
replacement insert for strainer angel type
Ersatzsieb für Eckrohrsieb

Cod
581 e

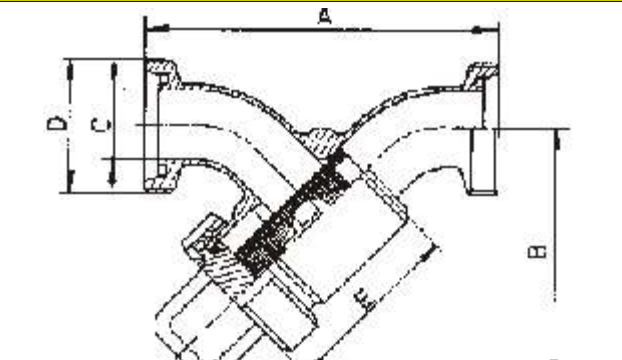


05413

Dn	A	B	C	D	E
25	150	112	26	Rd 52x1/6"	77
32	163	116	32	Rd 58x1/6"	77
40	187	127	38	Rd 65x1/6"	87
50	212	142	50	Rd 78x1/6"	103
65	267	170	66	Rd 95x1/6"	123
80	300	188	81	Rd 110x1/4"	136
100	320	219	100	Rd 130x1/4"	165

Filtru de purjare F-F
dirt trap, G-G
Schmutzfänger, G-G

Cod
583

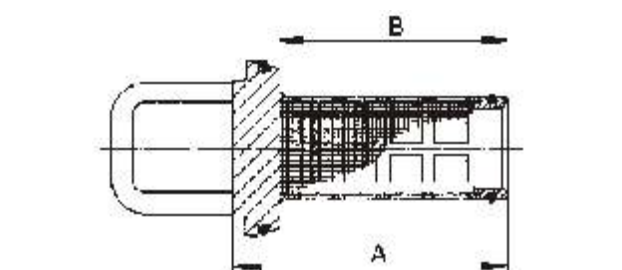


05420

Dn	A	B	C	D	E
25	77	61			
32	77	61			
40	87	75			
50	103	91			
65	123	110			
80	136	123			
100	165	148			

Element de filtrare
replacement insert for dirt trap
Ersatzsieb für Schmutzfänger

Cod
583 e



05423