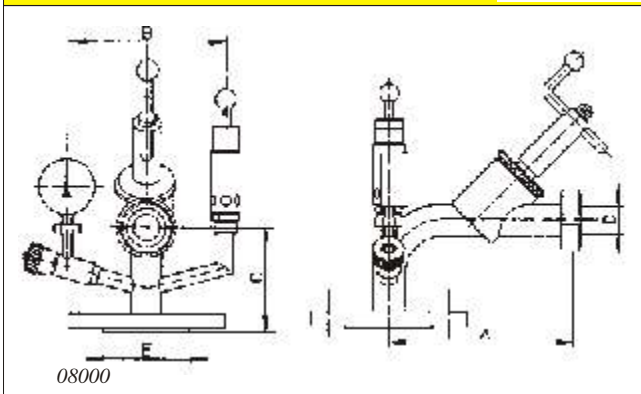


Van de siguranță FI ND 10
safety fitting, FI ND 10
Sicherheitsarmatur, FI ND 10

Cod
1079

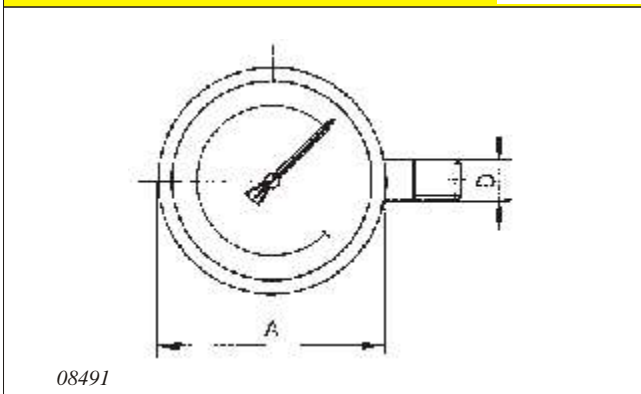


08000

| Dn | A | B | C | D | E |
|---|-----|-----|-----|----|-----|
| 20 | 145 | 160 | 112 | 20 | 75 |
| 25 | 170 | 160 | 124 | 26 | 85 |
| 32 | 185 | 170 | 120 | 32 | 100 |
| 40 | 205 | 180 | 125 | 38 | 110 |
| 50 | 248 | 190 | 135 | 50 | 125 |
| 65 | 302 | 210 | 145 | 66 | 145 |
| direct montabil pe rezervor de presiune cu supapă de siguranță Dn 20, cu reglare constantă și manometru | | | | | |

Manometru
manometer
Manometer

Cod
1072

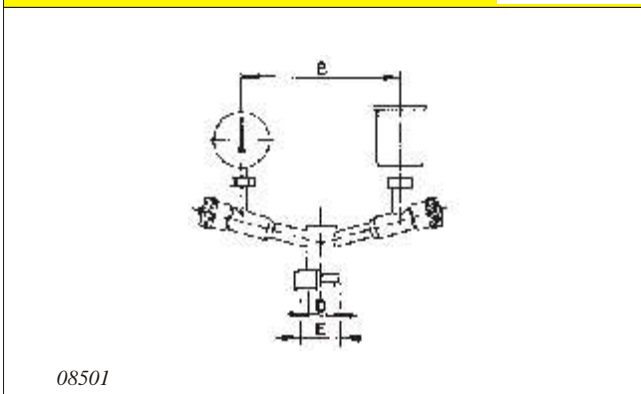


08491

| Dn | A | B | C | D | E |
|-----|-----|---|---|--------|---|
| 63 | 63 | | | R 1/4" | |
| 100 | 100 | | | R 1/2" | |

Van de siguranță tip KZE O
safety fitting, KZE typ, K/M
Sicherheitsarmatur, KZE typ, K/M

Cod
1064

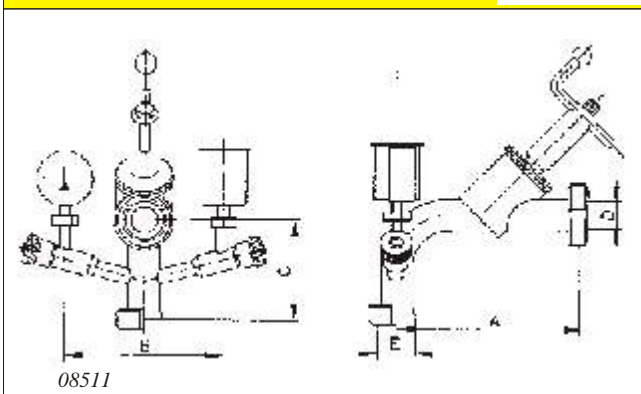


08501

| Dn | A | B | C | D | E |
|---|-----|---|---|----|------------|
| 20 | 160 | | | 20 | Rd 44x1/6" |
| 25 | 160 | | | 26 | Rd 52x1/6" |
| 32 | 170 | | | 32 | Rd 58x1/6" |
| 40 | 176 | | | 38 | Rd 65x1/6" |
| 50 | 188 | | | 50 | Rd 78x1/6" |
| 65 | 208 | | | 66 | Rd 95x1/6" |
| direct montabil pe rezervor fără supape cu indicator manometric de vid și cu pahar de fermentație | | | | | |

Van de siguranță tip KZE O
safety fitting, KZE typ, K/M
Sicherheitsarmatur, KZE typ, K/M

Cod
1066



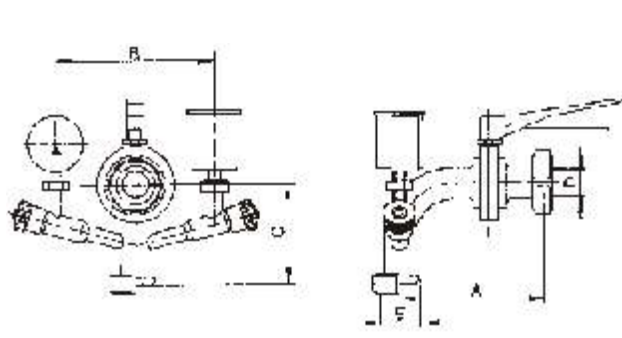
08511

| Dn | A | B | C | D | E |
|---|-----|-----|-----|----|------------|
| 20 | 142 | 160 | 118 | 20 | Rd 44x1/6" |
| 25 | 169 | 160 | 132 | 26 | Rd 52x1/6" |
| 32 | 186 | 170 | 130 | 32 | Rd 58x1/6" |
| 40 | 205 | 176 | 136 | 38 | Rd 65x1/6" |
| 50 | 248 | 188 | 148 | 50 | Rd 78x1/6" |
| 65 | 302 | 208 | 162 | 65 | Rd 95x1/6" |
| direct montabil, cu supapă cu scaun înclinat, cu indicator manometric de vid și cu pahar de fermentație | | | | | |

| Dn | A | B | C | D | E |
|--|-----|-----|-----|----|------------|
| 25 | 95 | 160 | 132 | 26 | Rd 52x1/6" |
| 32 | 101 | 170 | 130 | 32 | Rd 58x1/6" |
| 40 | 114 | 176 | 136 | 38 | Rd 65x1/6" |
| 50 | 124 | 188 | 148 | 50 | Rd 78x1/6" |
| 65 | 135 | 208 | 162 | 66 | Rd 95x1/6" |
| direct montabil , cu robinet cu clapet pentru rezervor, cu indicator manometric de vid i cu pahar de fermenta ie | | | | | |

Arm tur de siguran , tip KZE, O
safety fitting, KZE typ, K/M
Sicherheitsarmatur, KZE typ, K/M

Cod
1068

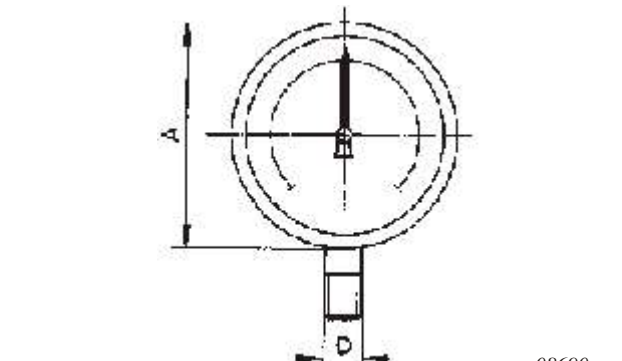


08521

| Dn | A | B | C | D | E |
|--|-----|---|---|--------|---|
| 100 | 100 | | | R 1/2" | |
| gama de presiune: -1 / +1,5 bar range: -1 / +1,5 bar Anzeigebereich: -1 / +1,5 bar | | | | | |

Manometru de vid
mano-vaccum-meter
Mano-Vakuummeter

Cod
1071

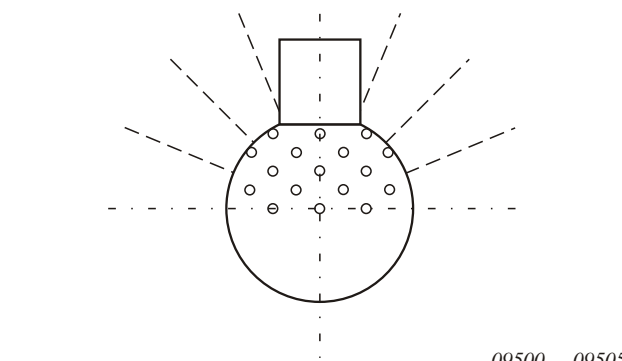


08690

| Dn | A | B | C | D | E |
|--|----|-------------------|---|---------|-----------|
| | | m ³ /h | | m | 2002/2003 |
| 1F0 | 64 | 7 | | 2,0-3,0 | R 1"/28 |
| 1F1 | 64 | 8 | | 2,5-3,5 | R 1"/28 |
| 1F2 | 64 | 11 | | 3,0-4,0 | R 1"/28 |
| 2F0 | 94 | 16 | | 3,5-4,5 | R 2"/52 |
| 2F1 | 94 | 24 | | 4,0-6,0 | R 2"/52 |
| 2F2 | 94 | 27 | | 6,0-8,0 | R 2"/52 |
| A - diametrul sferei B - debit D - distan a de pulverizare E - tipul i dimensiunea de racordare | | | | | |

Cap pulverizare 180° cu perfora ie sup.
spraying head, perforation 180°, upwards
Sprühkopf, Lochung 180°, nach oben

Cod
2002/2003

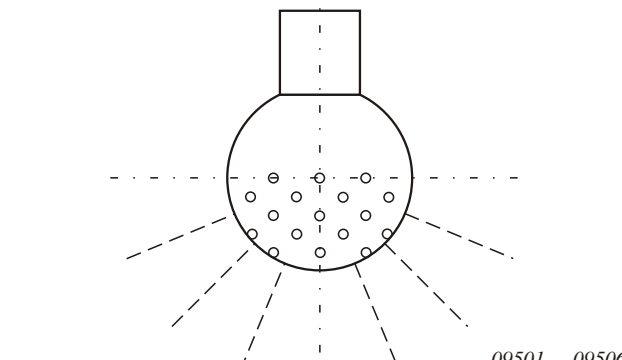


09500 - 09505

| Dn | A | B | C | D | E |
|--|----|-------------------|---|---------|-----------|
| | | m ³ /h | | m | 2004/2005 |
| 1B0 | 64 | 8 | | 2,0-3,0 | R 1"/28 |
| 1B1 | 64 | 9 | | 2,5-3,5 | R 1"/28 |
| 1B2 | 64 | 12 | | 3,0-4,0 | R 1"/28 |
| 2B0 | 94 | 18 | | 3,5-4,5 | R 2"/52 |
| 2B1 | 94 | 26 | | 4,0-6,0 | R 2"/52 |
| 2B2 | 94 | 29 | | 6,0-8,0 | R 2"/52 |
| A - diametrul sferei B - debit D - distan a de pulverizare E - tipul i dimensiunea de racordare | | | | | |

Cap pulverizare 180° cu perfora ie inf.
spraying head, perforation 180°, downwards
Sprühkopf, Lochung 180°, nach unten

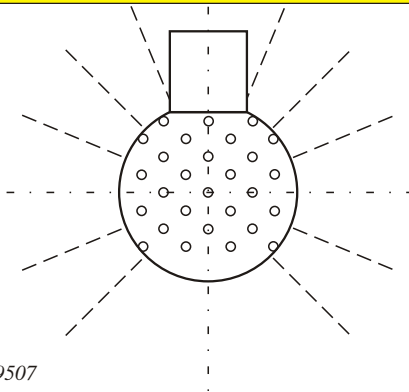
Cod
2004/2005



09501 - 09506

Cap pulverizare 270° cu perfora ie sup.
 spraying head, perforation 270°, up wards
 Sprühkopf, Lochung 270°, nach oben

Cod
 2006/2007

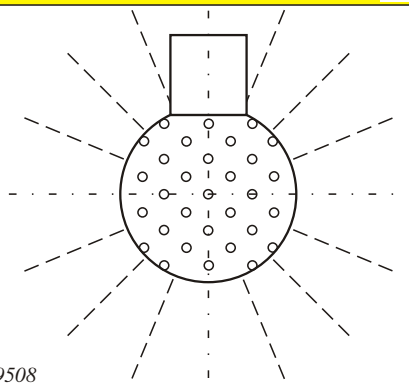


09502 - 09507

| Dn | A | B | C | D | E |
|--------------------------------------|----|-------------------|---|---------|-----------|
| | | m ³ /h | | m | 2006/2007 |
| 1G0 | 64 | 10 | | 2,0-3,0 | R 1"/28 |
| 1G1 | 64 | 12 | | 2,5-3,5 | R 1"/28 |
| 1G2 | 64 | 17 | | 3,0-4,0 | R 1"/28 |
| 2G0 | 94 | 24 | | 3,5-4,5 | R 2"/52 |
| 2G1 | 94 | 31 | | 4,0-6,0 | R 2"/52 |
| 2G2 | 94 | 49 | | 6,0-8,0 | R 2"/52 |
| A - diametrul sferei | | | | | |
| B - debit | | | | | |
| D - distan a de pulverizare | | | | | |
| E - tipul i dimensiunea de racordare | | | | | |

Cap pulverizare 360°
 spraying head, perforation 360°
 Sprühkopf, Lochung 360°

Cod
 2000/2001

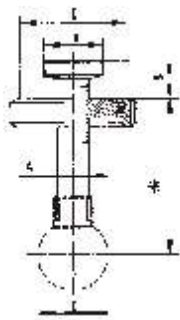


09503 - 09508

| Dn | A | B | C | D | E |
|--------------------------------------|----|-------------------|---|---------|-----------|
| | | m ³ /h | | m | 2006/2007 |
| 1A0 | 64 | 12 | | 2,0-3,0 | R 1"/28 |
| 1A1 | 64 | 15 | | 2,5-3,5 | R 1"/28 |
| 1A2 | 64 | 20 | | 3,0-4,0 | R 1"/28 |
| 2A0 | 94 | 30 | | 3,5-4,5 | R 2"/52 |
| 2A1 | 94 | 40 | | 4,0-6,0 | R 2"/52 |
| 2A2 | 94 | 50 | | 6,0-8,0 | R 2"/52 |
| A - diametrul sferei | | | | | |
| B - debit | | | | | |
| D - distan a de pulverizare | | | | | |
| E - tipul i dimensiunea de racordare | | | | | |

Suport pt. cap de pulverizare
 spraying head support with screwed connection
 Sprühkopfhälter mit Verschraubung

Cod
 2014



09510

| Dn | A | B | C | D | E |
|----|----|----|---|------------|-------------|
| 10 | 12 | 21 | | Rd 28x1/8" | Rd 52x1/6" |
| 15 | 18 | 22 | | Rd 34x1/8" | Rd 58x1/6" |
| 20 | 22 | 24 | | Rd 44x1/6" | Rd 78x1/6" |
| 25 | 28 | 29 | | Rd 52x1/6" | Rd 95x1/6" |
| 32 | 34 | 32 | | Rd 58x1/6" | Rd 95x1/6" |
| 40 | 40 | 33 | | Rd 65x1/6" | Rd 95x1/6" |
| 50 | 52 | 35 | | Rd 78x1/6" | Rd 130x1/4" |
| | | | | | |
| | | | | | |
| | | | | | |